



Description :

**OUTDOOR IP SERIES WALL MOUNTED CABINETS**  
**Front blind door and canopy roof**

The outdoor IP series wall mounted cabinets are designed for the containment of the main equipment for structured cabling, LAN networks in outdoor environments with very severe conditions. They are available with a width of 400 or 500 mm, provided with a blind door, a canopy roof and a special epoxy polyester powder coating, ensuring an IP65 protection degree.

CODE	DESCRIPTION	DIMENSIONS (mm)					BEAR Kg
		OVERALL			MOUNTING HOLES DISTANCE		
		W	D	H	X	Y	
2010207E	Cabinet IP65 19" 600x400x10U with blind port	600	400	500	560	460	50
2010210E	Cabinet IP65 19" 600x500x10U with blind port	600	500	500	560	460	50
2010208E	Cabinet IP65 19" 600x400x13U with blind port	600	400	600	560	560	50
2010223E	Cabinet IP65 19" 600x500x13U with blind port	600	500	600	560	560	50
2010209E	Cabinet IP65 19" 600x400x17U with blind port	600	400	800	560	760	50
2010211E	Cabinet IP65 19" 600x500x17U with blind port	600	500	800	560	760	50



**GENERAL FEATURES**

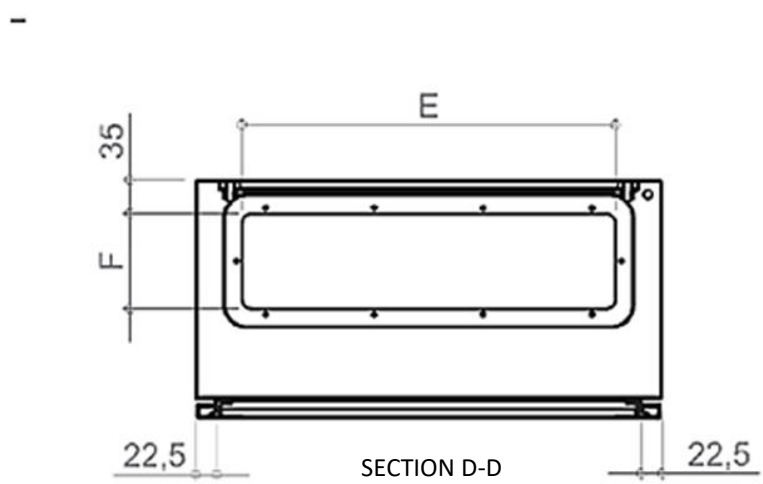
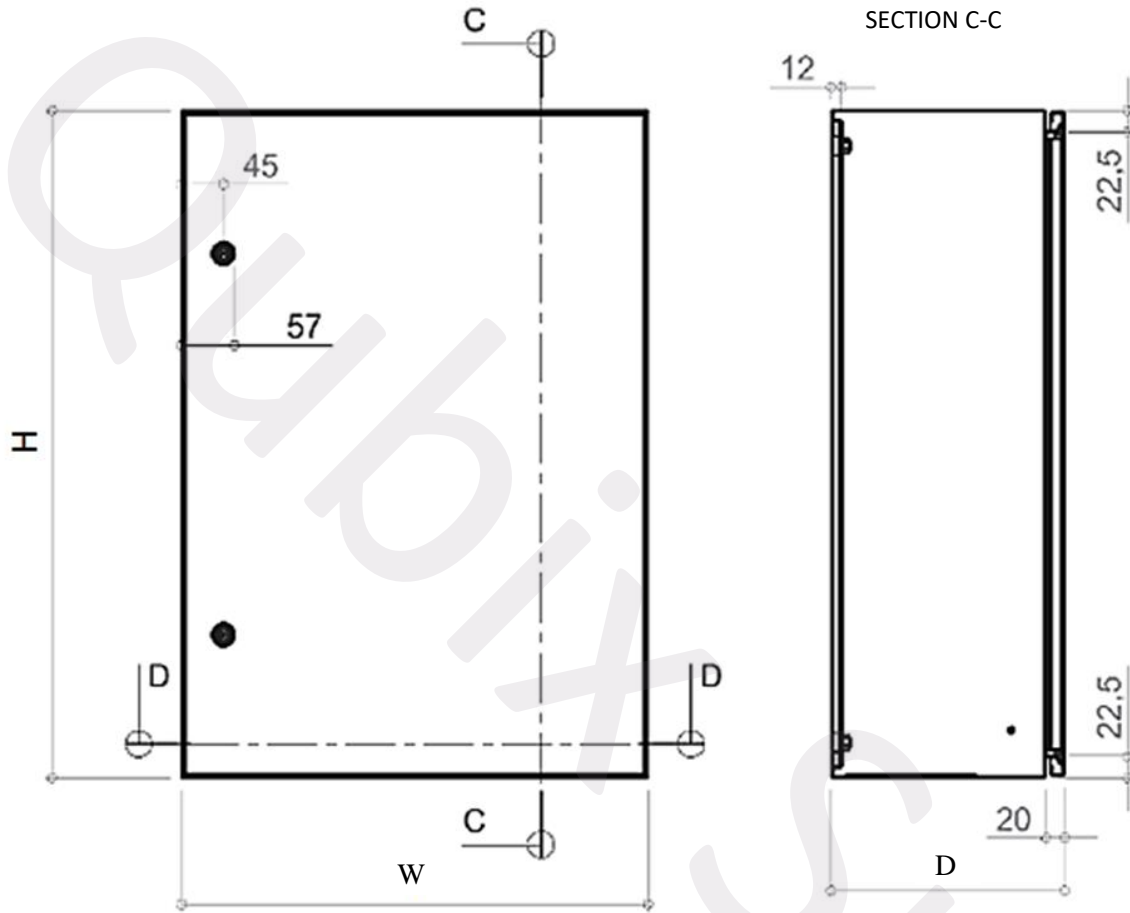
- 15/10 steel sheet structure
- Front blind door
- Weather-resistant epoxy polyester thermosetting powder coating , RAL 7035 color
- Canopy roof
- 19" uprights pair
- 2 sendimir profiles fixed on door
- Cable entry plate with gasket
- Kit of grounding screws and mounting of parts
- Locking system with double bit key,  $\varnothing$  3mm
- IP 65 according to EN 60529 granted by polyurethane bi-component foam seal
- IK10 degree of impact resistance complying with IEC EN 62208, EN 50102
- Packaging: cardboard and transparent film



Description :

**OUTDOOR IP SERIES WALL MOUNTED CABINETS**  
**Front blind door and canopy roof**

TECHNICAL DRAWINGS



CABLES ENTRY PLATE DIMENSIONS (mm)	
E	400
F	100

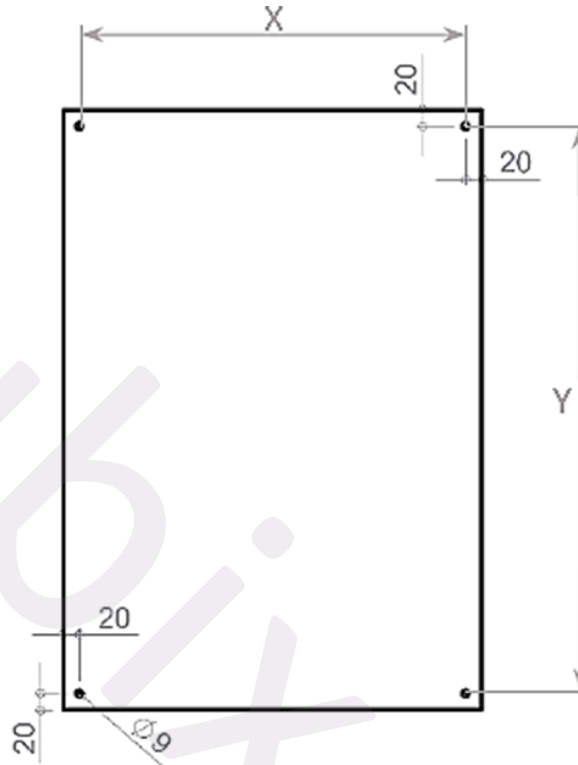


Description :

**OUTDOOR IP SERIES WALL MOUNTED CABINETS**  
**Front blind door and canopy roof**

TECHNICAL DRAWINGS

Rear of cabinet



Internal view  
of the door

