



technical data sheet

Product code :	2011022 -2011 049 - 2011140
Description :	<u>VENTILATION UNITS FOR PRO CABINETS</u>

Ventilation units provided with 2, 3 or 4 fans for allowing air vent inside the cabinets. Suitable to be installed in floor and datacenter PRO cabinets and wall mounted PRO cabinets (only the version with 2 fans).

CODE	DESCRIPTION	DIMENSIONS (mm)		
		W	D	H
2011049	Ventilation unit with 2 fan units for PRO cabinets	410	145	45
2011022	Ventilation unit with 3 fan units for PRO cabinets	410	280	45
2011140	Ventilation unit with 4 fan units for PRO cabinets	410	280	45



GENERAL FEATURES

- Fan structure in cast aluminum, color Black RAL 9005
- Case and impeller: black fibreglass reinforced plastic self-extinguishing UL 94V-0
- Motor type: brushless external rotor motor with auto-restart
- Capacity: 150 mc/h each fan
- Operating temperature: -10°C + 60°C
- Noise level: 43 db/A
- Power consumption: 23W each fan
- Operating Voltage: 230V – 50Hz
- Case structure : 1,5 mm steel sheet
- Color Gray RAL 9022
- 3x1 mm² cable – length 2 mt

QUBIX S.p.A. Networking solutions – Via Canada, 22/A – 35127 Padova – Italy
Tel. +39 049 7801994 – Fax +39 049 775667 – <http://www.qubix.it>

Rev. 01-23

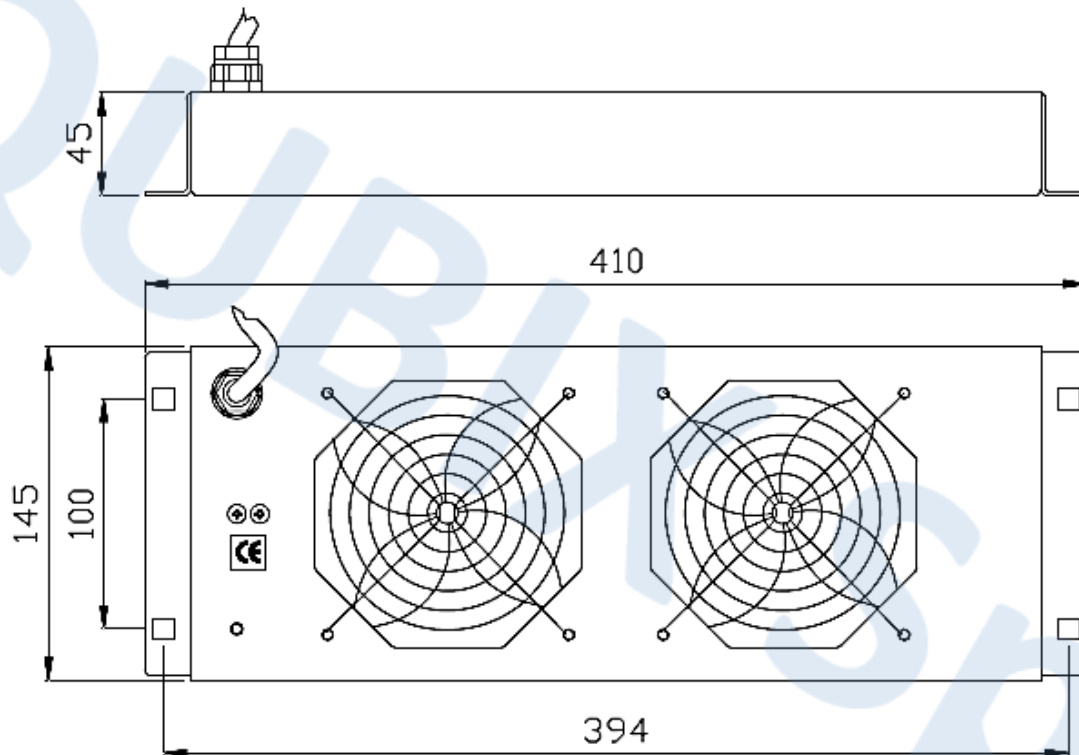
Qubix S.p.A. si riserva di apportare modifiche e migliorie in qualsiasi momento senza preavviso
Qubix S.p.A. reserves the right to make changes and improvements at any time without notice



technical data sheet

Product code :	2011022 -2011 049 - 2011140
Description :	<u>VENTILATION UNITS FOR PRO CABINETS</u>

TECHNICAL DRAWINGS

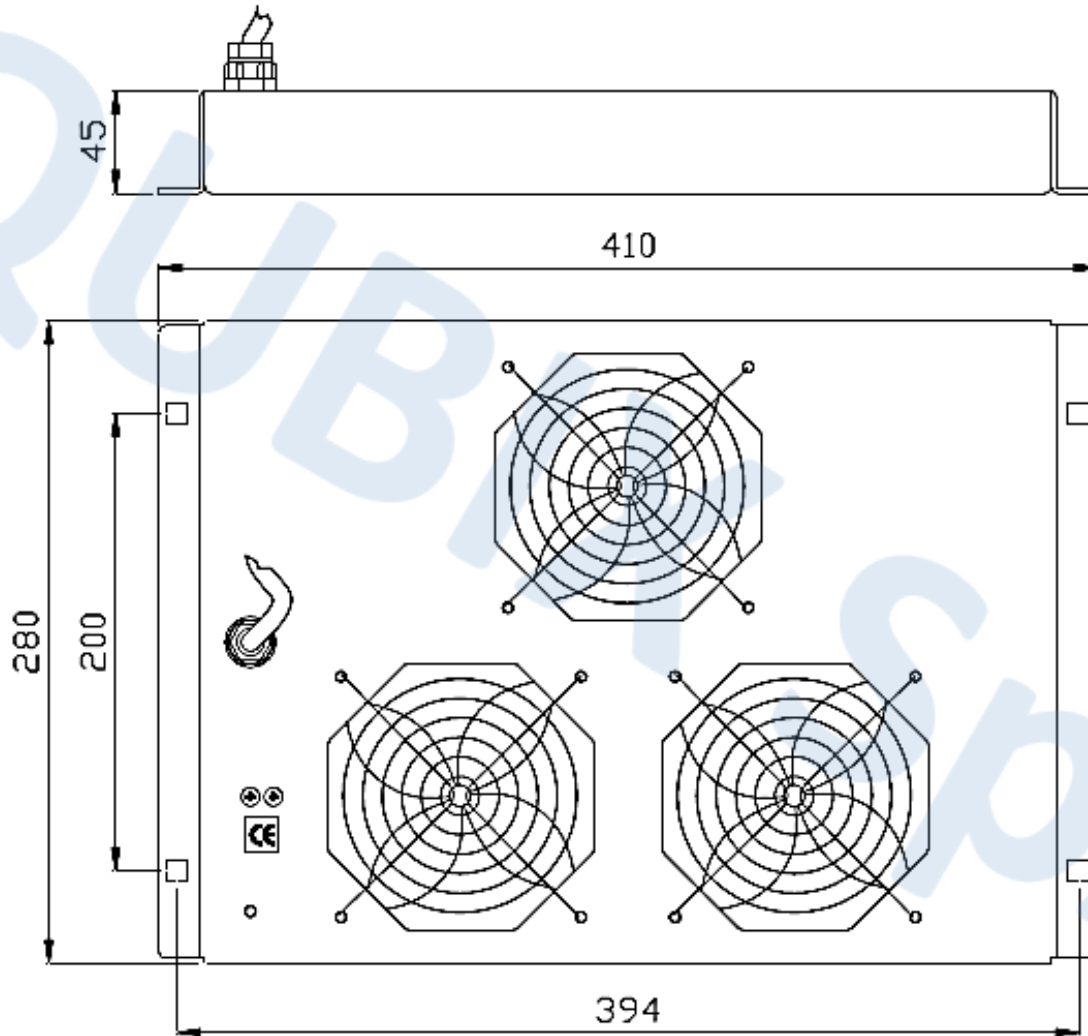




technical data sheet

Product code :	2011022 -2011 049 - 2011140
Description :	<u>VENTILATION UNITS FOR PRO CABINETS</u>

TECHNICAL DRAWINGS

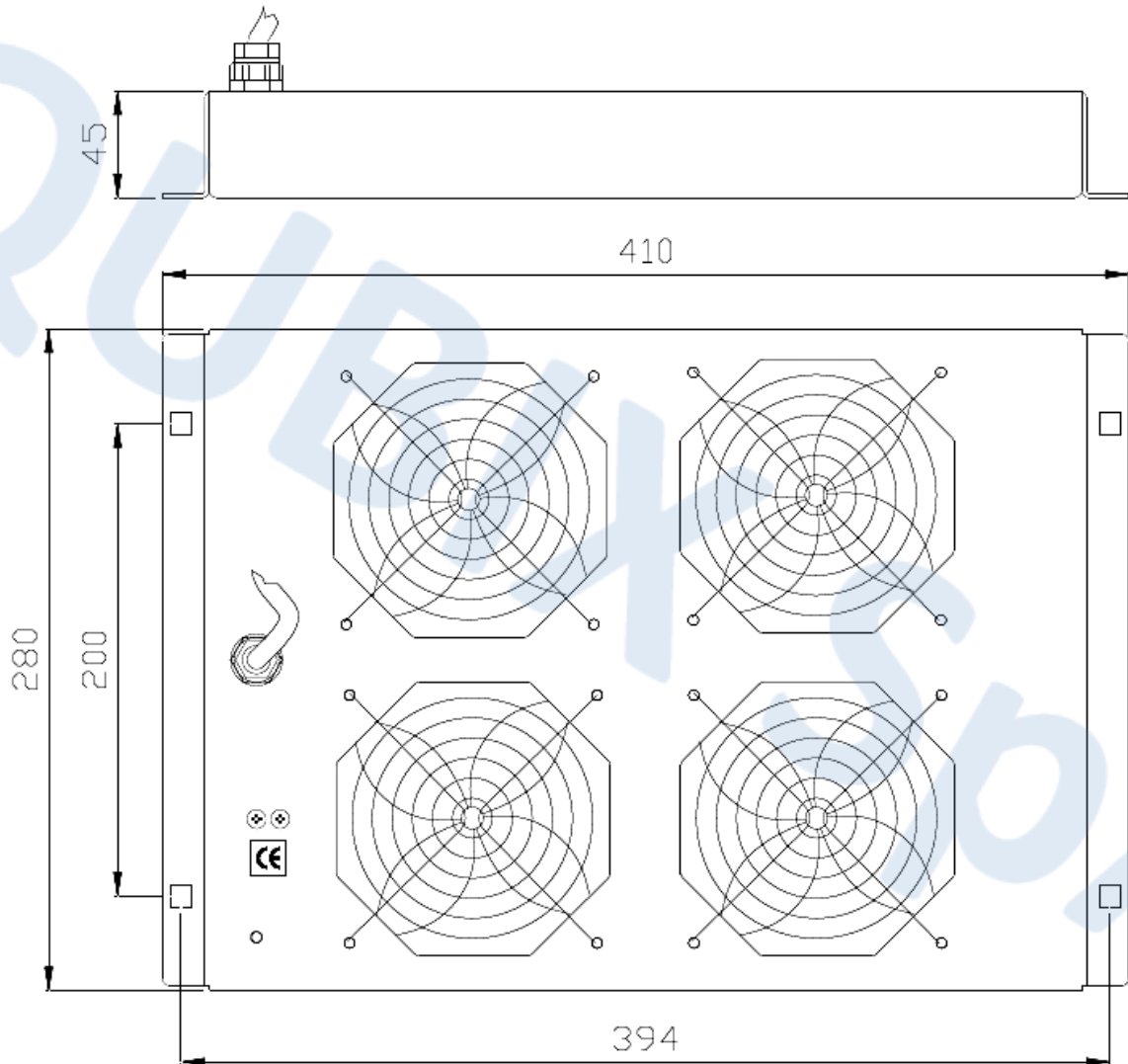




technical data sheet

Product code :	2011022 -2011 049 - 2011140
Description :	<u>VENTILATION UNITS FOR PRO CABINETS</u>

TECHNICAL DRAWINGS



QUBIX S.p.A. Networking solutions – Via Canada, 22/A – 35127 Padova – Italy
Tel. +39 049 7801994 – Fax +39 049 775667 – <http://www.qubix.it>

Rev. 01-23

Qubix S.p.A. si riserva di apportare modifiche e migliorie in qualsiasi momento senza preavviso
Qubix S.p.A. reserves the right to make changes and improvements at any time without notice