



technical data sheet

Product code :	2011034
Description :	<u>WHEELS KIT FOR FLOOR STANDING PRO CABINETS</u>

Wheels kit suitable to be installed in floor standing PRO cabinets with a depth of 600 or 800 mm.

CODE	DESCRIPTION
2011034	Wheels kit for floor standing PRO cabinets with a depth of 600 or 800 mm



GENERAL FEATURES

- 2 wheels with M10 pin
- 2 wheels with break and M10 pin
- Structure in galvanized steel chrome
- Gray plastic wheels, rubber outsole
- Bear 54 kg (each wheel)
- Suitable for floor standing PRO cabinets with a depth of 600 or 800 mm

QUBIX S.p.A. Networking solutions – Via Canada, 22/A – 35127 Padova – Italy
Tel. +39 049 7801994 – Fax +39 049 775667 – <http://www.qubix.it>

Rev. 01-23

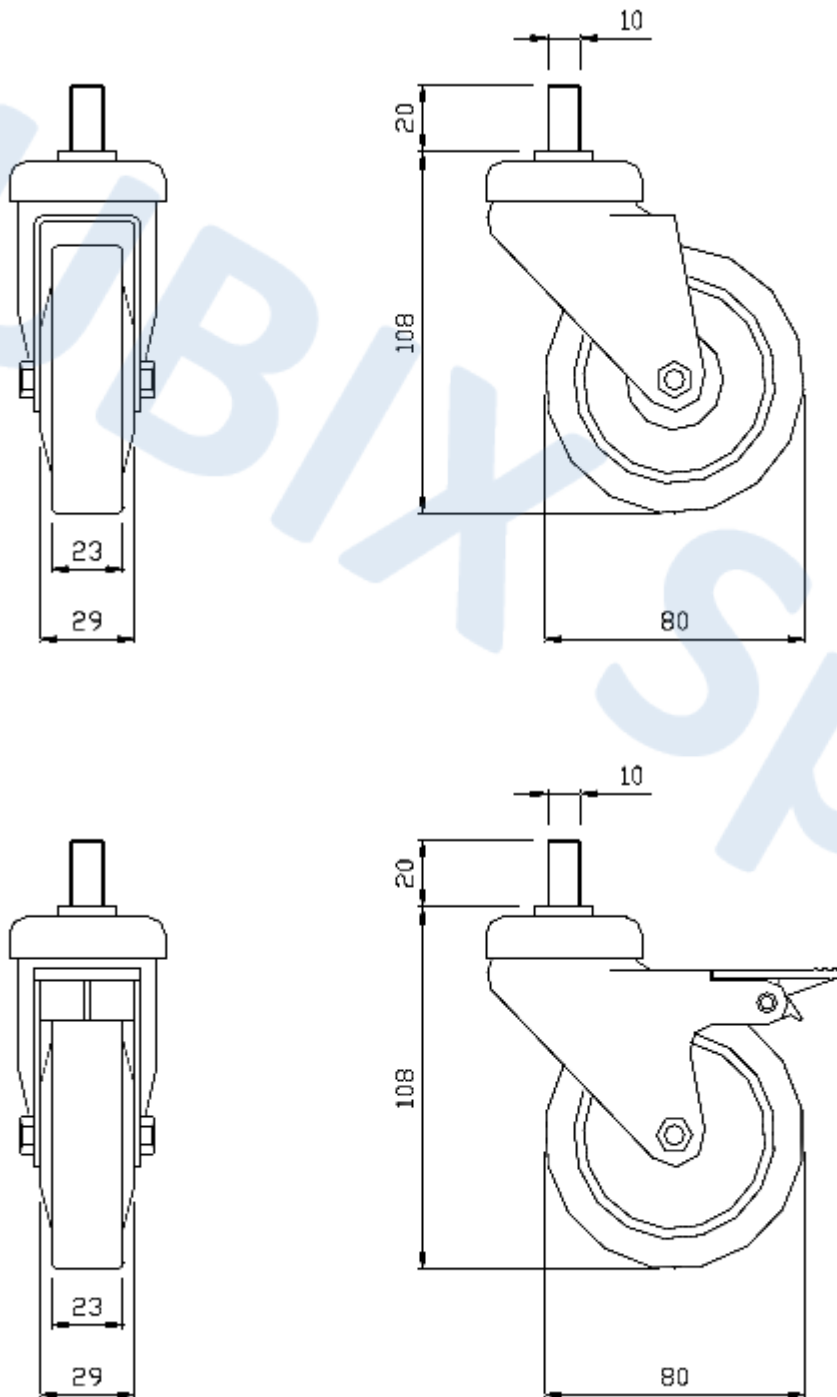
Qubix S.p.A. si riserva di apportare modifiche e migliorie in qualsiasi momento senza preavviso
Qubix S.p.A. reserves the right to make changes and improvements at any time without notice



technical data sheet

Product code :	2011034
Description :	<u>WHEELS KIT FOR FLOOR STANDING PRO CABINETS</u>

TECHNICAL DRAWINGS



QUBIX S.p.A. Networking solutions – Via Canada, 22/A – 35127 Padova – Italy
Tel. +39 049 7801994 – Fax +39 049 775667 – <http://www.qubix.it>

Rev. 01-23

Qubix S.p.A. si riserva di apportare modifiche e migliorie in qualsiasi momento senza preavviso
Qubix S.p.A. reserves the right to make changes and improvements at any time without notice