

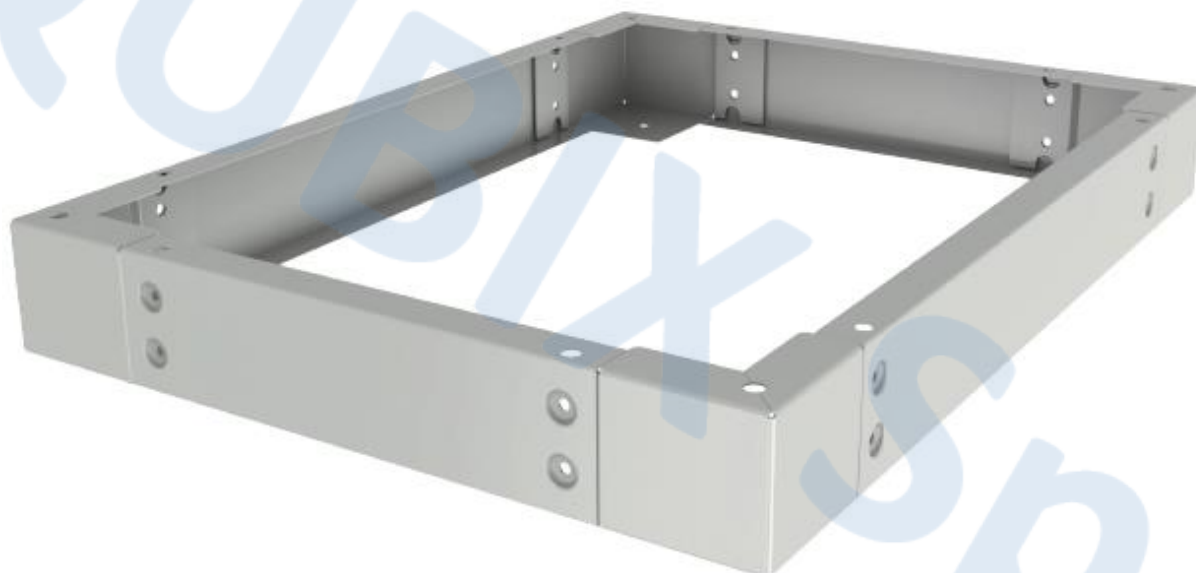


technical data sheet

Product code :	2011461 – 2011462 – 2011463 – 2011464
Description :	<u>PLINTHS FOR FLOOR STANDING TECH CABINETS</u>

Plinths for floor standing TECH cabinets.

CODE	DESCRIPTION	DIMENSIONS (mm)		
		W	D	H
2011461	Plinth for floor standing TECH cabinet W600xD600	600	600	100
2011462	Plinth for floor standing TECH cabinet W600xD800	600	800	100
2011463	Plinth for floor standing TECH cabinet W800xD600	800	600	100
2011464	Plinth for floor standing TECH cabinet W800xD800	800	800	100



MAIN FEATURES

- 4 removable flanges for the passage of cables
- 4 angle brackets
- Structure in painted steel sheet
- Color gray RAL 7035
- Height 100 mm
- Mounting screws
- Predisposition for the installation of levelling feet

QUBIX S.p.A. Networking solutions – Via Canada, 22/A – 35127 Padova – Italy
Tel. +39 049 7801994 – Fax +39 049 775667 – <http://www.qubix.it>

Rev. 01-23

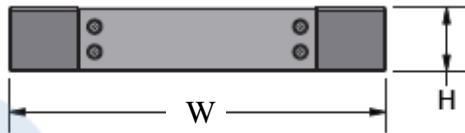
Qubix S.p.A. si riserva di apportare modifiche e migliorie in qualsiasi momento senza preavviso
Qubix S.p.A. reserves the right to make changes and improvements at any time without notice



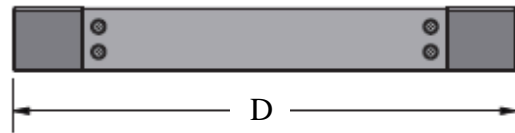
technical data sheet

Product code :	2011461 – 2011462 – 2011463 – 2011464
Description :	<u>PLINTHS FOR FLOOR STANDING TECH CABINETS</u>

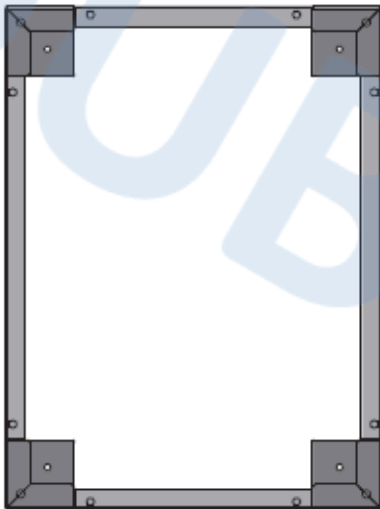
TECHNICAL DRAWINGS



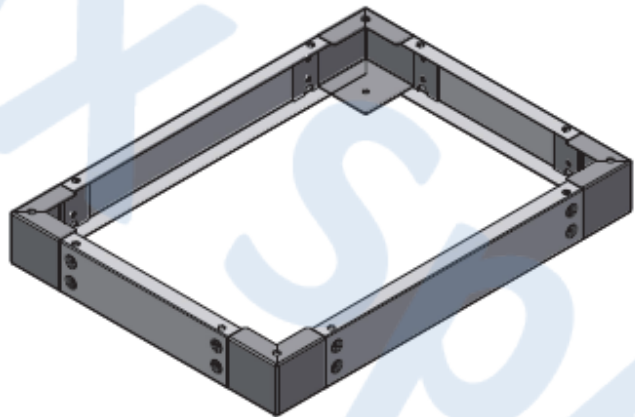
Front view



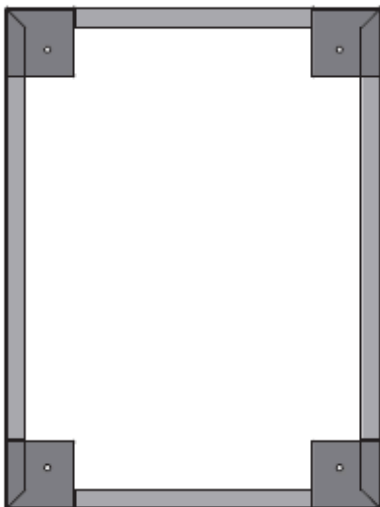
Side view



Top view



Isometric view



Bottom view