



Product code :	2011602
Description :	<u>POLE MOUNTING KIT</u>

Kit for pole mounting of wall mounted IP55 cabinets.

CODE	DESCRIPTION
2011602	Pole mounting kit for wall mounted IP55 cabinets



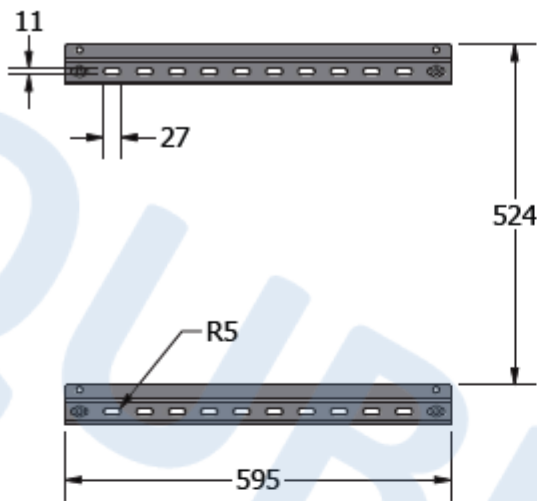
MAIN FEATURES

- 4 horizontal brackets
- 4 M10 threaded rods
- Fixing nuts and screws
- Steel sheet structure
- Color: gray
- For use with wall mounted IP55 cabinets

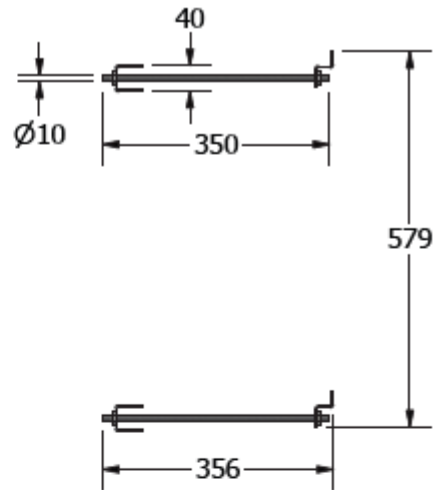


Product code :	2011602
Description :	<u>POLE MOUNTING KIT</u>

TECHNICAL DRAWINGS



Front view



Side view



Top view



Isometric view