



technical data sheet

Product code :	2011616
Description :	<u>VENTILATION UNIT FOR WALL MOUNTED IP55 CABINETS</u>

Ventilation unit provided with 2 fans and a thermostat for allowing air vent inside the cabinet. Suitable for the installation in wall mounted IP55 cabinets.

CODE	DESCRIPTION	DIMENSIONS (mm)		
		W	D	H
2011616	Ventilation unit with 2 fans and thermostat for wall IP55 cabinets	487	133	45



MAIN FEATURES

- 1 mm steel sheet structure
- Colour grey RAL 7035
- 2-fan version
- Single fan dimensions: 120x120x38 mm
- ON/OFF switch
- Analogue thermostat 0 - 60°C
- Power supply: 200 - 240VAC
- Power consumption: 25W per fan
- Capacity: 150 m³/h per fan
- Noise level: 49 dBA
- Power cable with schuko plug included
- For installation in wall mounted IP55 cabinets

QUBIX S.p.A. Networking solutions – Via Canada, 22/A – 35127 Padova – Italy
Tel. +39 049 7801994 – Fax +39 049 775667 – <http://www.qubix.it>

Rev. 01-23

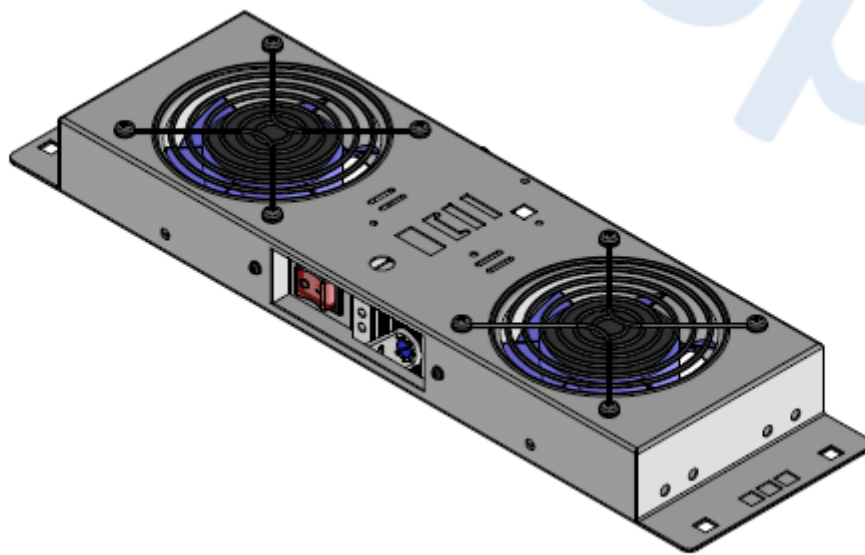
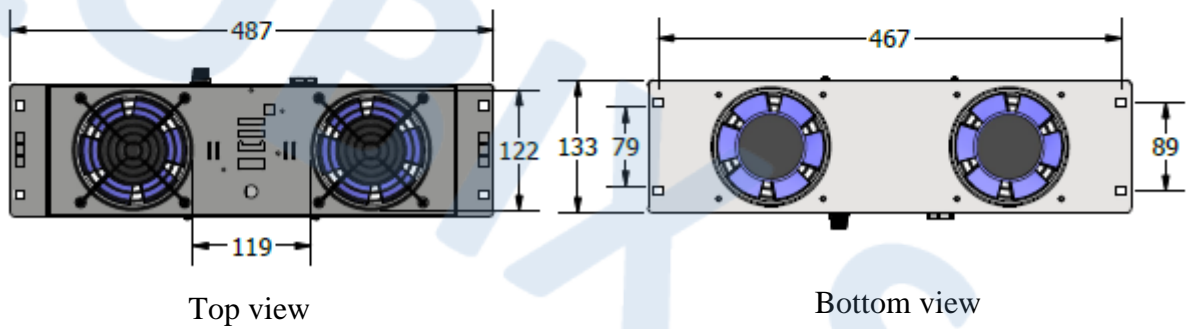
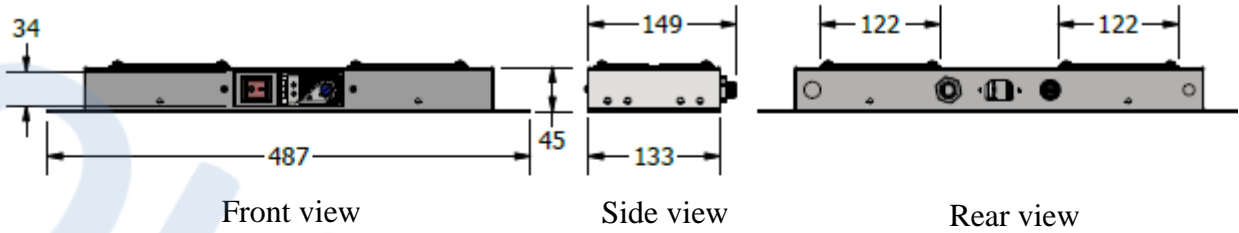
Qubix S.p.A. si riserva di apportare modifiche e migliorie in qualsiasi momento senza preavviso
Qubix S.p.A. reserves the right to make changes and improvements at any time without notice



technical data sheet

Product code :	2011616
Description :	<u>VENTILATION UNIT FOR WALL MOUNTED IP55 CABINETS</u>

TECHNICAL DRAWINGS



Isometric view