



Description :

FLAT PACK WALL MOUNTED TECH CABINETS
Front glass door and side blind panels

Flat Pack wall mounted TECH cabinets are designed for the containment of the main equipment for structured cabling and LAN networks. They have a depth of 450 or 600 mm, unassembled in flat pack packaging, equipped with front glass door and side removable blind panels, colour black RAL 9005.

| CODE | DESCRIPTION | DIMENSIONS (mm) | | | LOADING WEIGHT |
|-----------|--|-----------------|-----|------|----------------|
| | | W | D | H | Kg |
| 2020031NF | Cabinet 19" 570x450x6U Flat Pack, black | 570 | 450 | 370 | 60 |
| 2020032NF | Cabinet 19" 570x450x9U Flat Pack, black | 570 | 450 | 500 | 60 |
| 2020042NF | Cabinet 19" 570x600x9U Flat Pack, black | 570 | 600 | 500 | 60 |
| 2020034NF | Cabinet 19" 570x450x12U Flat Pack, black | 570 | 450 | 635 | 60 |
| 2020044NF | Cabinet 19" 570x600x12U Flat Pack, black | 570 | 600 | 635 | 60 |
| 2020035NF | Cabinet 19" 570x450x15U Flat Pack, black | 570 | 450 | 770 | 60 |
| 2020045NF | Cabinet 19" 570x600x15U Flat Pack, black | 570 | 600 | 770 | 60 |
| 2020046NF | Cabinet 19" 570x600x22U Flat Pack, black | 570 | 600 | 1080 | 60 |



Flat Pack

GENERAL FEATURES

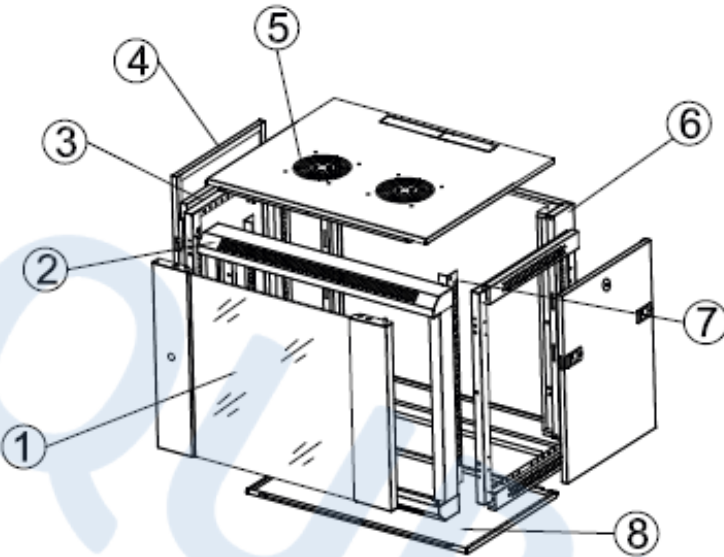
- Frame in steel sheet
- Finishing colour black RAL 9005
- Front safety glass door with lock and keys, opening over 180°
- Removable blind side panels
- Top and bottom cable inlets
- Ventilation slots for air outlet on top and bottom, suitable for the installation of ventilation fans on the top
- IP20 degree of protection
- No. 2 vertical uprights adjustable in depth to install 19" standard equipments
- Static load: 60 kg



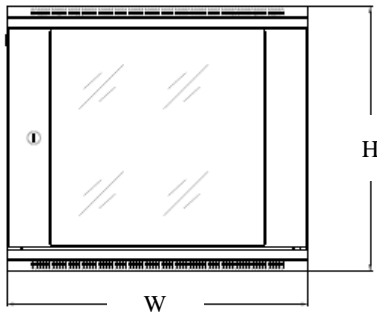
Description :

FLAT PACK WALL MOUNTED TECH CABINETS
Front glass door and side blind panels

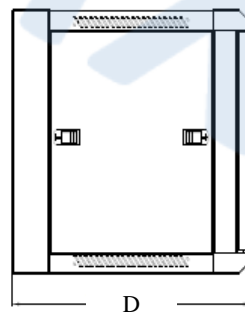
TECHNICAL DRAWINGS



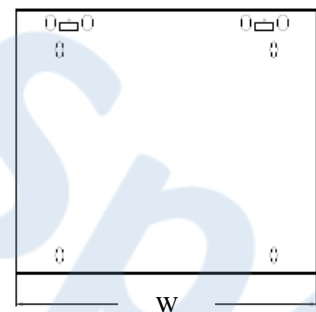
| COMPONENT | DESCRIPTION |
|-----------|-------------------------|
| # 1 | Front glass door - 1 pc |
| # 2 | Front frame - 1 pc |
| # 3 | Side frames - 2 pcs |
| # 4 | Side panels - 2 pcs |
| # 5 | Top panel - 1 pc |
| # 6 | Rear frame - 1 pc |
| # 7 | 19" uprights - 2 pcs |
| # 8 | Bottom panel - 1 pc |



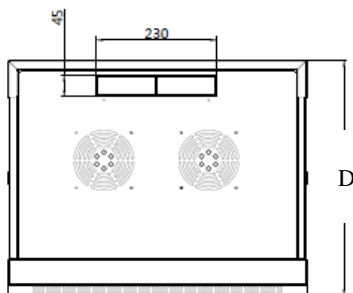
Front view



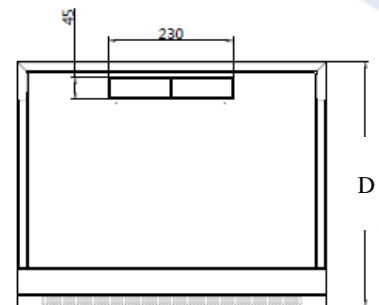
Side view



Rear view



Top view



Bottom view