



Description :

WALL MOUNTED TECH CABINETS

Front glass door and side blind panels

Wall mounted TECH cabinets are designed for the containment of the main equipment for structured cabling and LAN networks. They are available with depth of 350, 450 or 600 mm, equipped with front glass door and side removable blind panels, colour grey RAL 7035.

| CODE | DESCRIPTION | DIMENSIONS (mm) | | | LOADING WEIGHT |
|---------|-------------------------|-----------------|-----|------|----------------|
| | | W | D | H | Kg |
| 2020021 | Cabinet 19" 600x350x6U | 600 | 350 | 370 | 60 |
| 2020031 | Cabinet 19" 600x450x6U | 600 | 450 | 370 | 60 |
| 2020032 | Cabinet 19" 600x450x9U | 600 | 450 | 500 | 60 |
| 2020042 | Cabinet 19" 600x600x9U | 600 | 600 | 500 | 60 |
| 2020034 | Cabinet 19" 600x450x12U | 600 | 450 | 635 | 60 |
| 2020044 | Cabinet 19" 600x600x12U | 600 | 600 | 635 | 60 |
| 2020035 | Cabinet 19" 600x450x15U | 600 | 450 | 770 | 60 |
| 2020045 | Cabinet 19" 600x600x15U | 600 | 600 | 770 | 60 |
| 2020046 | Cabinet 19" 600x600x22U | 600 | 600 | 1080 | 60 |



GENERAL FEATURES

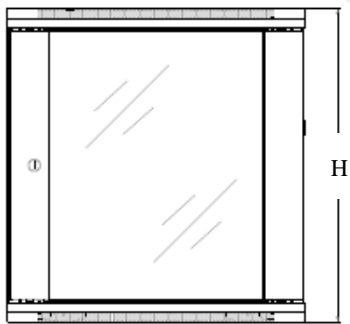
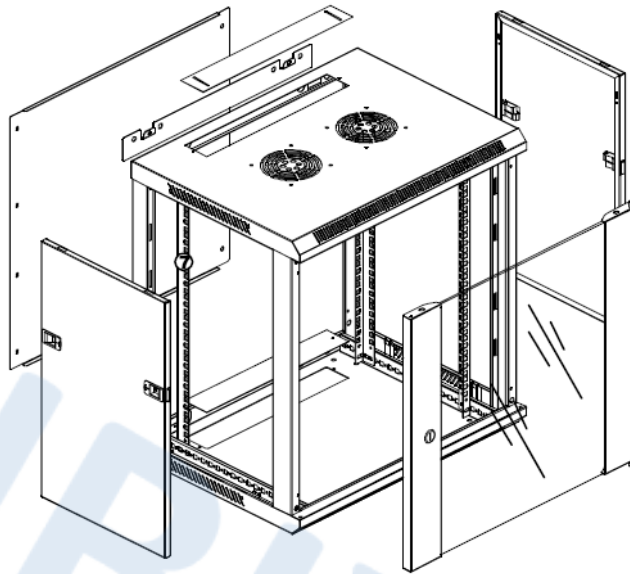
- Frame in steel sheet
- Finishing colour grey RAL 7035
- Front safety glass door with lock and keys, opening over 180°
- Removable blind side panels
- Top and bottom cable inlets
- Ventilation slots for air outlet on top and bottom, suitable for the installation of ventilation fans on the top
- IP20 degree of protection
- No. 4 vertical uprights adjustable in depth to install 19" standard equipments
- No. 2 L-shaped supports
- Static load: 60 kg



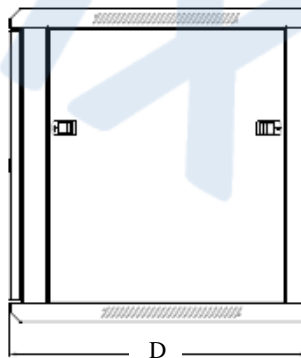
Description :

WALL MOUNTED TECH CABINETS
Front glass door and side blind panels

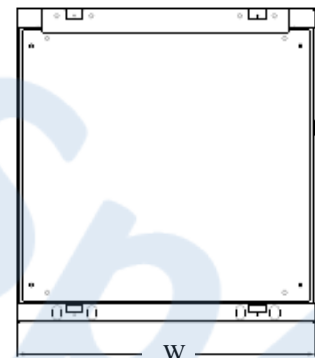
TECHNICAL DRAWING



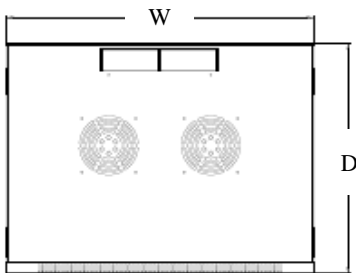
Front view



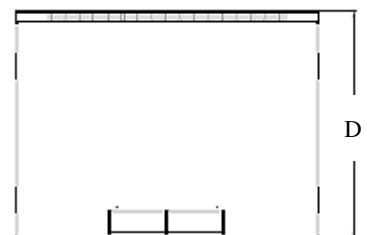
Side view



Rear view



Top view



Bottom view