

2MP - 4MP WDR (Motorized) VF Eyeball Network IR Camera

2045107 – QP5250M

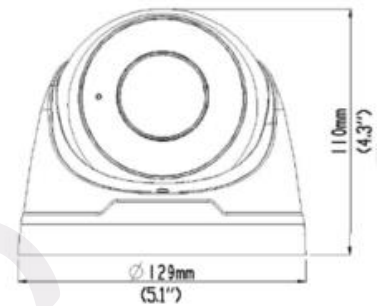
2045108 – QP5450M



Key features

Optics

- Day/night function
- Smart IR, up to 30mt IR distance
- Optical WDR up to 120 dB
- Optical glass window with higher light transmittance
- IR anti-reflection window to increase the infrared transmittance
- Digital Noise Reduction 3D DNR

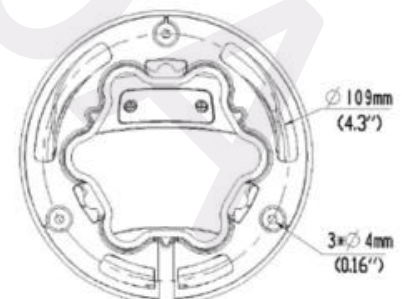


Compression

- Ultra 265, H.265, H.264, MJPEG
- Embedded smart algorithm
- Triple streams
- 9:16 corridor mode

Structure, power supply and compatibility

- ONVIF Compliant
- Power supply PoE 802.3af
- Temperature range: -40°C - 60°C
- Wide voltage range of $\pm 25\%$
- IP67 Protection degree





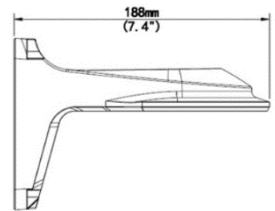
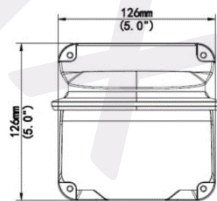
Specifications

Camera	2045107 – QP5250M	2045108 – QP5450M
Sensor	1 / 2,9", 2.0 megapixel, progressive scan, CMOS	1/3", 4.0 megapixel, progressive scan, CMOS
Lens	2.7~12mm, AF automatic focusing and motorized zoom lens	
Angle of view	94.0° ~ 28.0°	91.0° ~ 27.0°
Shutter	Auto/Manual, 1/6~1/100000 s	
Minimum Illumination	Colour: 0.02 Lux (F1.8, AGC ON), 0 Lux with IR	
Day/Night	IR-cut filter with auto switch (ICR)	
Digital noise reduction	2D/3D DNR	
S/N	>52dB	
IR Range	Up to 30m	
Defog	Digital Defog	
WDR	120 dB	
Video		
Video Compression	Ultra 265, H.265, H.264, MJPEG	
H.264 code profile	Baseline profile, Main Profile, High Profile	
Frame Rate	Main Stream: 2MP (1920×1080): Max. 30 fps; Sub Stream: 2MP (1920×1080): Max. 30 fps; Third Stream: D1 (720×576): Max. 30 fps	Main Stream: 4MP (2592 × 1520): Max. 20 fps, 4MP (2560 × 1440): Max. 25 fps 3MP (2048 × 1520): Max. 30 fps; Sub Stream: 2MP (1920×1080): Max. 30 fps; Third Stream: D1(720×576) : Max. 30fps
9:16 Corridor Mode	Supported	
HLC	Supported	
BLC	Supported	
OSD	Up to 8 OSD s	
Privacy Mask	Up to 8 areas	
ROI	Up to 8 areas	
Motion Detection	Up to 4 areas	
Advanced functions		
Detection	Intrusion, line cross, motion detection, audio	
Smart detection	Face detection, Defocus and scene change	
statistics	People counting	
General functions	Watermark, IP address filtering, tampering alarm, Access policy, ARP protection, RTSP Authentication, user authentication	
Audio		
Audio compression	G.711	
Two-way Audio	Supported	
Storage		
Edge Storage	Micro SD, up to 128 GB	
Network Storage	ANR	
Network		
Protocols	IPv4, IGMP, ICMP, ARP, TCP, UDP, DHCP, PPPoE, RTP, RTSP, RTCP, DNS, DDNS, NTP, FTP, UPnP, HTTP, HTTPS, SMTP, 802.1x, SNMP	
Compatible Integration	ONVIF (Profile S, Profile G), API	

Interface	
Network	10M/100M Base-TX Ethernet
Built-in Mic	supported
Reset button	supported
General	
Power	12 V DC±25%, PoE (IEEE802.3 af), Max power consumption 8,16W
Dimensions	Φ129 x 110 mm
Weight	0,67 Kg
Working environment	-40°C ~ +60°C, humidity:10%~95% RH(non-condensing)
Ingress protection	IP67

Accessories

2045193 – QPWM1	
Application	Indoor – QPWM1 Wall mount for indoor installation of cameras serie PRO QP5X50
Dimensions	188 mm x 126 mm x 126 mm
Weight	0,44 Kg
Material	Aluminium alloy



2045194 – QPWM2	
Applicazione	Indoor/Outdoor – QPWM2 Wall mount for indoor/outdoor installation of cameras serie PRO QP5X50
Dimensions	233 mm x 126 mm x 126 mm
Weight	0,92 Kg
Material	Aluminium alloy

